

6 5 4 3 2 1

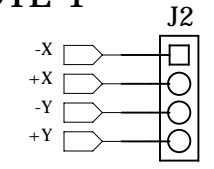
WARNING - HIGH VOLTAGE!

REVISION RECORD			
LTR	ECO NO:	APPROVED:	DATE:

VOLTAGE GAIN = 100

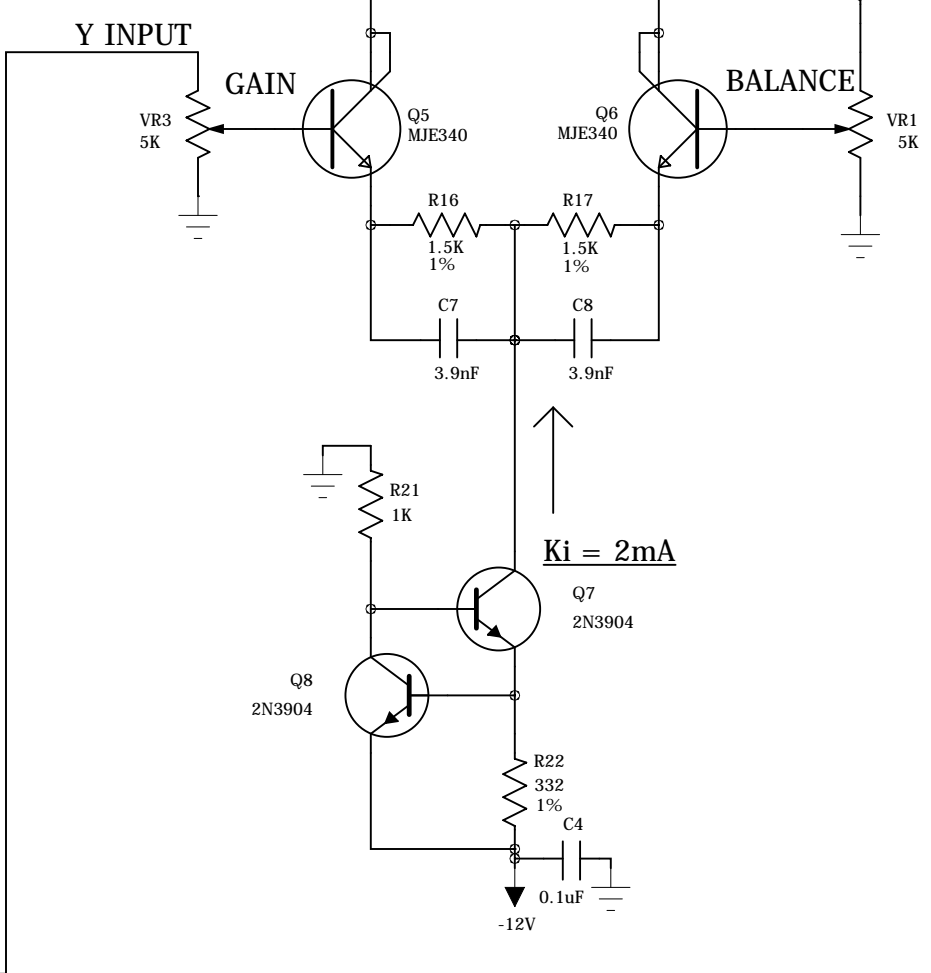
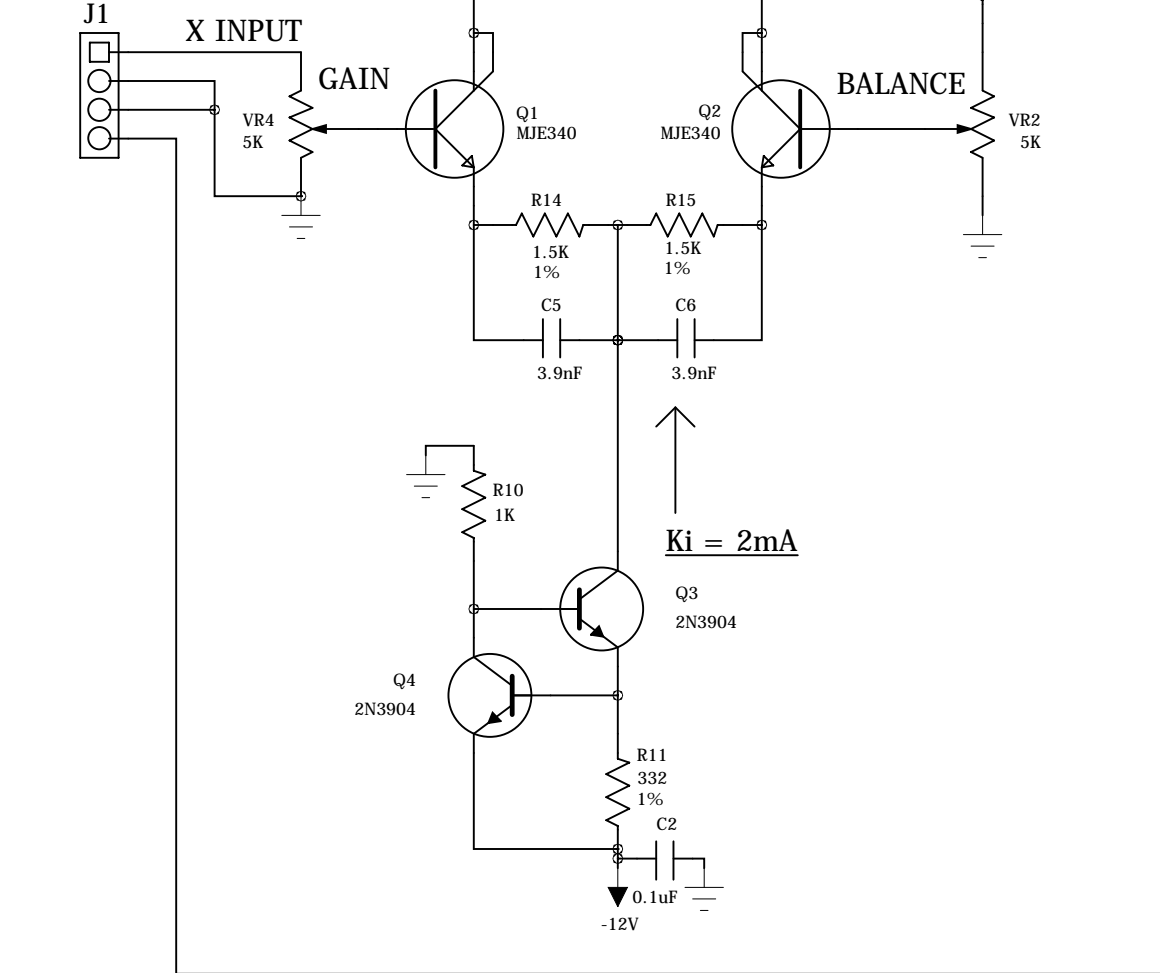
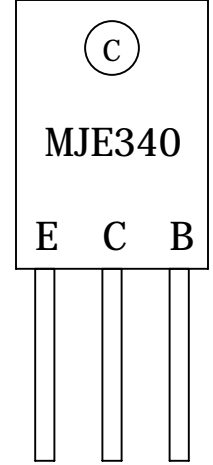
VOLTAGE GAIN = 100

TO CATHODE RAY TUBE DEFLECTION PLATES
NOTE 1



J2: 200mil spacing

FRONT VIEW



NOTES:

1. ASSUMES ANODE NUMBER 2 IS OPERATING AT 150VDC.
ELSE, USE AC COUPLING CAPACITORS BETWEEN CIRCUITS.

COMPANY: www.labguysworld.com			
TITLE: ELECTROSTATIC DEFLECTION AMPS COPYRIGHT 2015 RICHARD DIEHL			
CHECKED:	DATED:	DRAWING NO:	REV:
		20150217	
QUALITY CONTROL:	DATED:	Last updated: 20150224	
RELEASED:	DATED:	SCALE:	SHEET: 1 of 2

D
C
B
A

D
C
B
A

6

5

4

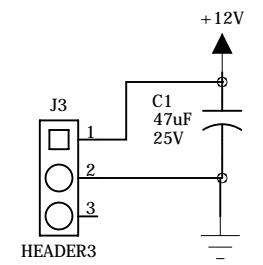
3

2

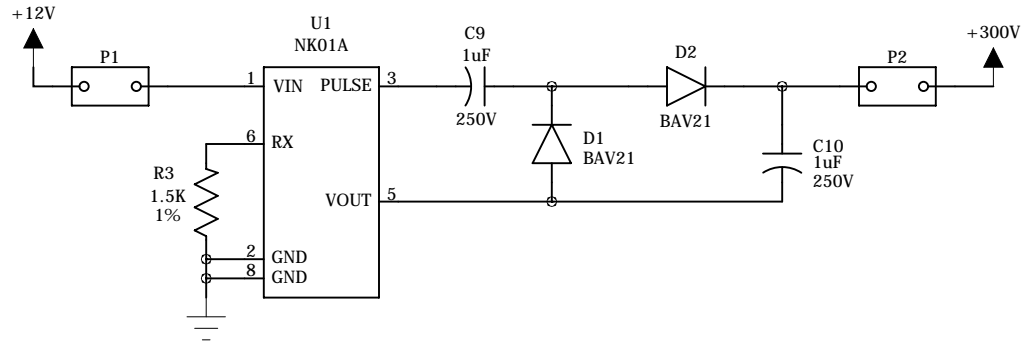
1

REVISION RECORD			
LTR	ECO NO:	APPROVED:	DATE:

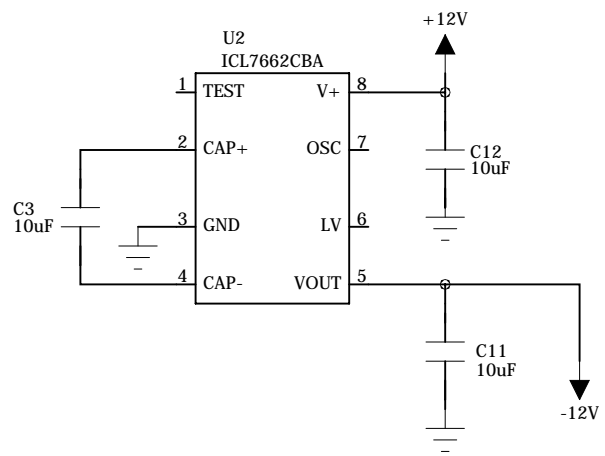
POSITIVE 12 VOLTS IN



POSITIVE 300 VOLTS



NEGATIVE 12 VOLTS



COMPANY: www.labguysworld.com

TITLE: **ELECTROSTATIC DEFLECTION AMPS**

DRAWN: R.DIEHL	DATED: 20150212
CHECKED: <Checked By>	DATED: <Checked Date>
QUALITY CONTROL:	DATED:
RELEASED:	DATED:

CODE:	SIZE: B	DRAWING NO: 20150217	REV:
-------	-------------------	--------------------------------	------

D

D

C

C

B

B

A

A